

Line laser, red, 650 nm, 90 °, 2.5 mW

LB650-2.5-3(16x45)
Order Number: 70100600

Main Parameters (*)	min	typ	max	Unit
Wavelength		650		nm
Optical Output Power		2.5		mW
Operating Voltage	2.7	3	3.3	V DC
Operating Current	15	25	40	mA
Operating Temperature	-20		50	°C
Storage Temperature	-40		80	°C

Main Data

Warranty 1 years

Technical Parameters

Lifetime > 5,000 h
RoHS yes

Optical Parameters

Beam Shape	Line
Laser Class	1
Divergence	B - 0.3 mrad
Fan Angle	90 °
Line Thickness	<1.5mm@2m
Operating Distance	2 m
Optics	glass lens AR coated
Laser technology	Single Mode Diode
Focus	fixed (2000mm)

Electrical Parameters

Potential of Housing isolated
Power Supply LFNT-3

Mechanical Parameters

Size	Ø16x45 mm
Material	aluminium
Cable length	100 mm
Wire type	26AWG, 0,14mm ²
Output Aperture	6.8 mm
Weight	23 g
Stripping of wire	5 mm

(*) Over the complete operating temperature range

Features



- Fan angle 90 °
- Operating Voltage 3 V DC
- Laser Class 1
- Uniform line thickness
- Fixed focus

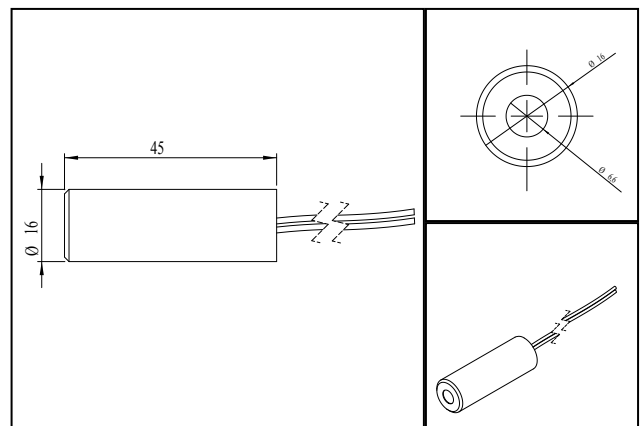
Picture



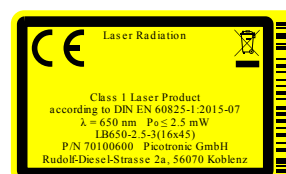
Cable color

Ground		black	GND
positive		red	2.7 - 3.3, typ 3 V DC

Drawing



Safety Label



Valid Revision

2 | 22-JAN-2016